

PRODUCT DATA SHEET

Double-sectioned Wall mount Cabinet Star Series

Features

- Double-section wall mount cabinet.
- Tempered glass front door with 180° turning radius rotatable key lock.
- Color Black RAL9005 standard with Options in gray and cream white.
- Adjustable front and rear mounting posts conform to different equipment depth requirements. Dual mounting post with #12-24 threaded holes and square holes for cage nuts.
- Ventilated door design for added air flow and cooling.
- Cable entry brush panel on the top cover and knock-outs on the bottom plate.
- Provided with 1 fans with UL cord installed. Additional fan may be provided upon request.
- Easy to wall mount back plate.
- Available in heights from 6u to 25u.
- Fully assembled for quick installation and packaged in a honeycomb carton. Optional space saving flat packaging available upon request.



Standards:

Complies with ANSI/EIA RS-310-D, IEC 297-1, 19" Mounting, IEC297-2 Overall cabinet dimensions, EN 61587DIN41491; PART1, DIN41494; PART7, GB/3047.2-92 standards, UL certified

Material:

SPCC Cold Rolled Steel.

Degree of Protection:

IP20

Thickness of Steel:

Mounting post: 2 mm, frame: 1.2mm,
back panel: 1.5mm,
front door frame: 1.2mm, Others: 1.0mm

Surface treatment:

Degreasing, pickling, phosphoric treatment,
powder spraying

Colors option:

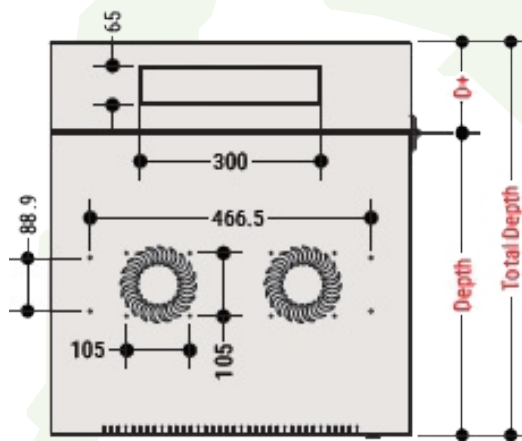
RAL9004/9005 BLACK; Standard Stocking Color
RAL7035 COMPUTER GRAY; Special Order. Lead times may vary. RAL9010 CREAM WHITE; Special Order. Lead times may vary.



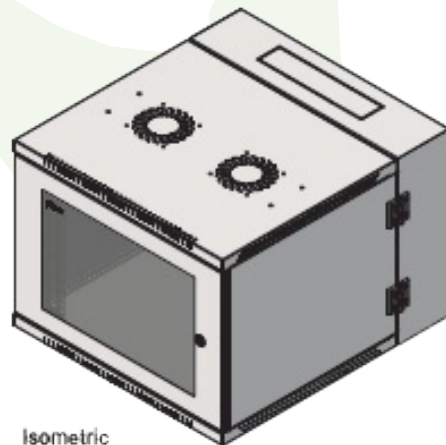
Ordering Information

Specifications

Part Number	Size (U)	Width mm/inch	Depth mm/inch	D + mm/inch	Total Depth mm/inch	Height mm/inch	Static Loading Capacity	
							Kgs	Lbs
NTDWC6U600	6	600/23.62	600/23.62	150/5.90	750/29.52	329.0/12.95	75	165.34
NTDWC9U600	9	600/23.62	600/23.62	150/5.90	750/29.52	462.4/18.20	80	176.36
NTDWC12U600	12	600/23.62	600/23.62	150/5.90	750/29.52	595.71/23.45	80	176.36
NTDWC16U600	16	600/23.62	600/23.62	150/5.90	750/29.52	773.5/30.45	90	198.41
NTDWC20U600	20	600/23.62	600/23.62	150/5.90	750/29.52	951.3/37.45	105	231.48
NTDWC23U600	23	600/23.62	600/23.62	150/5.90	750/29.52	1084.7/42.70	105	231.48
NTDWC11U800	11	600/23.62	800/31.50	150/5.90	950/37.40	551.3/21.70	135	299.82
NTDWC12U800	12	600/23.62	800/31.50	150/5.90	950/37.40	595.7/24.30	135	299.82
NTDWC18U800	18	600/23.62	800/31.50	150/5.90	950/37.40	862.4/33.90	135	299.82
NTDWC25U800	25	600/23.62	800/31.50	150/5.90	950/37.40	1173.5/46.20	155	341.71



Top View



Isometric View

Optional accessories



Fan Module



Power Distribution Unit



Horizontal Cable Organizer



